

MIRO 12.4 230V-2U-FK INPUT RELAY

IN: 230 VAC/DC - OUT: 250 VAC/DC / 6 A

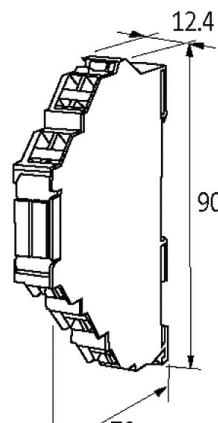
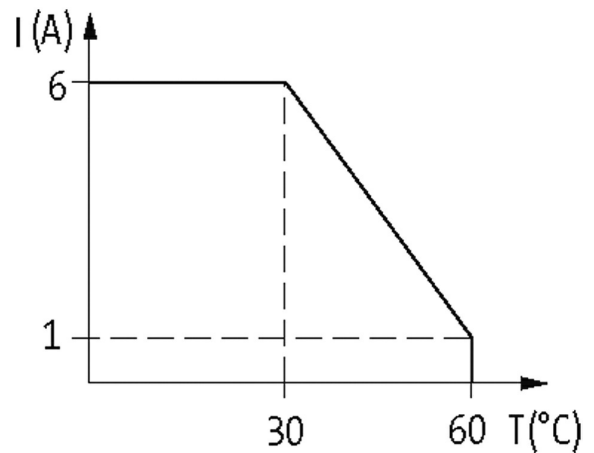
2 NO/NC contacts

6 A

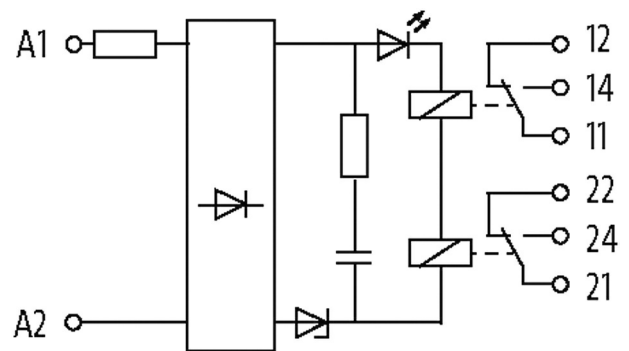
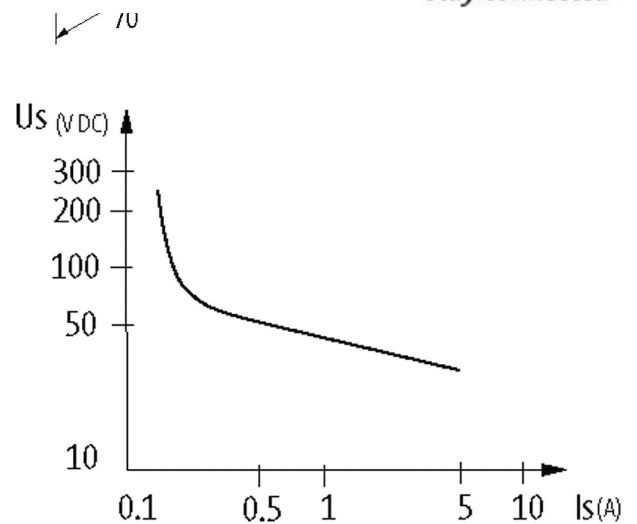
230 V AC/DC

Spring clamp terminals

When the max. switching voltage/current is exceeded the gold plating is destroyed. The relay will then take on the properties of an output type.

Illustration

stay connected



Product may differ from Image

Approvals



Input

Connection voltage - current	230 V AC/DC (195...253 V AC/DC) - 5 mA
LED display	LED (green)

Output

Switching voltage	max. 250 V AC/DC
Switching current per output	max. 6 A
Min. load current	1 mA (12 V DC)
Power rating (voltage dependent)	max. 1500 VA/120 W
Switching frequency	max. 10 Hz
Contact material	Ag Sn O2 hv
Energize/release/contact bounce time	10/15/1.5 ms

Utilization category

AC-12	6 A (24/110/230 V AC)
AC-15	3 A (24/110/230 V AC)
DC-13	1 A (24 V DC); 0.2 A (110 V DC); 0.1 A (230 V DC)

General data

Mech./elect. life	20 000 000 switching cycles/load dependent
-------------------	--

Test isolation voltage	4 kV; safe separation (EN 60947-1)
Mounting method	DIN-rail mountable (EN 60715)
Temperature range	-20...+55 °C
Dimensions H×W×D	90×12.4×65 mm

Commercial data

country of origin	CZ
customs tariff number	85364900
EAN	4048879021968
eClass	27371601
Packaging unit	1